

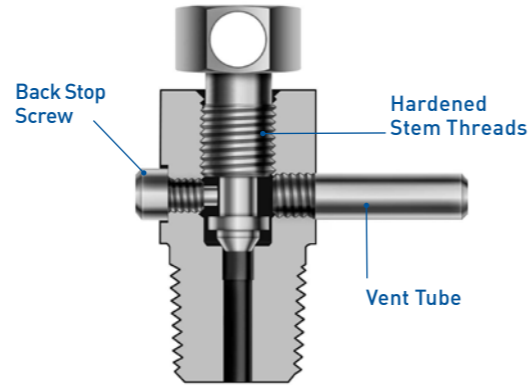
INSTRUMENT

Bleed Valve VL



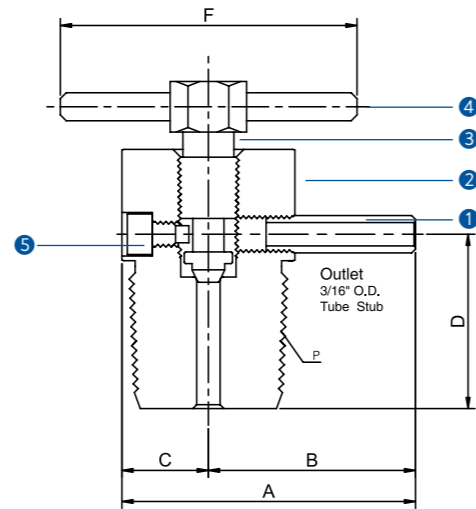
Features

- Pressure rating up to 10000psig (689bar) @38°C (100°F)
- Temperature rating from -53°C(-65°F) to 454°C (850°F) with 316SS
- Hardened stem threads and stem for long cycle life
- Back stop screw prevents accidental stem back-out
- Vent tube directs excess liquid or gas from system lines



Application

Using with UNILOK Manifolds Valves or Gauge/Root Valves not only to vent before disassemble of instrument device but also to calibrate control device easily



Materials of Construction

No.	Description	Materials
1	Vent Tube	316SS
2	Body	316SS
3	Stem	316SS
4	Handle(Optional)	304SS
5	Back Stop Screw	316SS

Ordering Information & Dimensions

Part No.	End Connections	Dimensions (mm)				
		A	B	C	D	F
VL	M-02N	33.4	23.4	10	15.6	50.8
	M-04N				19.3	
	M-06N	37.7	26.6	11.1	22.4	
	M-08N					

Bar Handle : add **-B**, VLM-08N-**B**-SS

Barbed Vent Tube : add **-V**, VLM-04N-**V**-SS

Important Notification

Proper installation, materials compatibility, operation and maintenance of these valves are the responsibility of the user. The total system design must be taken into consideration to ensure optimal performance and safety.